

## DS-2XE6442F-IZHRS (B) 4 MP Explosion-Proof Network Bullet Camera



- Explosion-proof design: the camera has passed international ATEX & IECEx certifications, and can be used in gas and dust hazardous scenarios
- 316L stainless steel enclosure and anti-corrosion spray treatment, protecting the camera from damage caused by sparks or corrosive materials
- IP68 water resistant, preventing water ingress for outdoor use
- H.265+/H.265/H.264+/H.264 encoding: efficient compression technology saves storage space and reduces bandwidth requirements
- AC 100 V to 240 V wide range power supply: easy to deploy cables and safer compared to a power adapter solution



## ▪ Specification

| Camera                      |  |
|-----------------------------|--|
| Shutter Speed               | 1/3s to 1/100,000s   |
| P/N                         | P/N  |
| Wide Dynamic Range          | 120 dB   |
| Lens                        |  |
| Focus                       | Auto, semi-auto, manual  |
| Camera                      |  |
| Image Sensor                | 1/1.8" Progressive Scan CMOS   |
| Min. Illumination           | Color: 0.0005 Lux @(F1.2, AGC ON)<br>B/W: 0.0001 Lux @(F1.2, AGC ON), 0 Lux with IR  |
| Slow Shutter                | Yes  |
| DNR                         | 3D DNR   |
| Day & Night                 | IR cut filter  |
| Lens                        | 2.8 mm to 12 mm, F1.4, horizontal FOV: 94° to 38°, vertical FOV: 49.9° to 21.3°, diagonal FOV: 112.3° to 43.7°<br>8 mm to 32 mm, F1.7, horizontal field of view: 42.2° to 15.1°, vertical FOV: 23.4° to 8.6°, diagonal FOV: 49.6° to 17.3° |
| Auto-Iris                   | DC drive   |
| Video                       |  |
| Max. Resolution             | 2688 × 1520  |
| Main Stream                 | 50 Hz: 25fps (2688 × 1520, 2304 × 1296, 1920 × 1080, 1280 × 720)<br>60 Hz: 30 fps (2688 × 1520, 2304 × 1296, 1920 × 1080, 1280 × 720)  |
| Sub-Stream                  | 50 Hz: 25 fps (640 × 480, 640 × 360, 320 × 240)<br>60 Hz: 30fps (640 × 480, 640 × 360, 320 × 240)  |
| Third Stream                | 50 Hz: 25 fps (1280 × 720, 640 × 480, 640 × 360, 320 × 240)<br>60 Hz: 30 fps (1280 × 720, 640 × 480, 640 × 360, 320 × 240)   |
| Video Compression           | Main stream: H.265/H.264<br>Sub-stream: H.265/H.264/MJPEG<br>Third stream: H.265/H.264   |
| Video Bit Rate              | 32 Kbps~8Mbps  |
| H.264 Type                  | BaseLine Profile/Main Profile/High Profile   |
| H.265 Type                  | Main Profile   |
| H.264+                      | Main stream supports   |
| H.265+                      | Main stream supports   |
| Bit Rate Control            | VBR/CBR  |
| Scalable Video Coding (SVC) | H.265 and H.264 support  |
| Region of Interest (ROI)    | 1 fixed region for main stream and sub-stream  |
| Audio                       |  |
| Environment Noise Filtering | Yes  |
| Audio Sampling Rate         | 8 kHz/16 kHz/32 kHz/44.1 kHz/48 kHz  |
| Audio Compression           | G.711/G.722.1/G.726/MP2L2/PCM/AAC/MP3  |
| Audio Bit Rate              | 64Kbps(G.711)/16Kbps(G.722.1)/16Kbps(G.726)/32-192Kbps(MP2L2)/8Kbps-320Kbps(MP3)   |

|                          |   |
|--------------------------|---|
| Audio Type               | Mono sound  |
| <b>Network</b>           |   |
| Simultaneous Live View   | Up to 6 channels  |
| API                      | Open Network Video Interface, ISAPI, SDK, Ehome   |
| Protocols                | TCP/IP, ICMP, HTTP, HTTPS, FTP, SFTP, DHCP, DNS, DDNS, RTP, RTSP, RTCP, PPPoE, NTP, UPnP, SMTP, SNMP, IGMP, 802.1X, QoS, IPv6, UDP, SSL/TLS   |
| User/Host                | Up to 32 users, 3 levels: administrator, operator and user  |
| Network Storage          | microSD/SDHC/SDXC card (256 GB) local storage, and NAS (NFS, SMB/CIFS), auto network replenishment (ANR)<br>Together with high-end Hikvision memory card, memory card encryption and health detection are supported.  |
| Client                   | iVMS-4200, Hik-Connect, Hik-Central   |
| Web Browser              | Plug-in required live view: IE8+, Chrome41.0~44, Firefox30.0~51, Safari8.0~11<br>Plug-in free live view: Chrome45.0+, Firefox52.0+<br>Local service: Chrome 57.0+, Firefox 52.0+<br>Not recommended: Safari 11+, Edge   |
| <b>Image</b>             |   |
| Smart IR                 | The IR LEDs on camera should support Smart IR function to automatically adjust power to avoid image overexposure.   |
| Day/Night Switch         | Day/Night/Auto/Schedule   |
| Target Cropping          | Yes   |
| Image Enhancement        | BLC, HLC, 3D DNR, Defog, EIS  |
| Image Parameters Switch  | Yes   |
| SNR                      | ≥50db   |
| Privacy Mask             | Yes   |
| <b>Smart Feature-Set</b> |   |
| Smart Event              | Line crossing detection, up to 4 lines configurable<br>Intrusion detection, up to 4 regions configurable<br>Region entrance detection, up to 4 regions configurable<br>Region exiting detection, up to 4 regions configurable<br>Unattended baggage detection, up to 4 regions configurable<br>Object removal detection, up to 4 regions configurable,<br>Scene change detection, defocus detection |
| Exception Detection      | Network disconnected, IP address conflict, illegal login, HDD full, HDD error   |
| <b>General</b>           |   |
| Linkage Method           | Upload to FTP/NAS/memory card, notify surveillance center, send email, trigger alarm output, trigger recording, trigger capture   |
| Online Upgrade           | Yes   |
| Firmware Version         | 5.5.153   |
| General Function         | Anti-flicker, 3 streams, heartbeat, mirror, privacy masks, flash log, password reset via e-mail, pixel counter  |
| Software Reset           | Yes   |
| <b>Audio</b>             |   |
| Audio I/O                | 1 line in/out   |

| Image                       |   |
|-----------------------------|---|
| Picture Overlay             | LOGO picture can be overlaid on video with 128 × 128 24bit bmp format   |
| Image Settings              | Support rotate mode. Saturation, brightness, contrast, sharpness, white balance, and AGC are adjustable by client software or web browser   |
| Interface                   |   |
| Communication Interface     | 1 RJ45 10 M/100 M self-adaptive Ethernet port   |
| Alarm                       | 2 alarm inputs, 2 alarm outputs (up to 24 VDC, 1 A or 110 VAC, 500 mA)  |
| Video Output                | 1Vp-p Composite Output(75Ω/BNC)   |
| On-board Storage            | Built-in microSD/SDHC/SDXC slot, up to 256GB<br><i>*You are recommended to purchase memory card together with the product if needed. After ordering, the memory card will be installed to product during manufacturing.</i>   |
| Approval                    |   |
| EMC                         | FCC: FCC-SDoC(ANSI C63.4,FCC Part15 sub B)<br>CE: CE-EMC(EN 50130-4:2011+A1:2014,EN 55032:2015,EN 61000-3-2:2014,EN 61000-3-3:2013)<br>IC: IC-VoC(ICES-003 Issue 7:2020)<br>KC: KN 301489-1,KN 301489-17,RRA NOTICE 2017-14(2017.12.05),RRA NOTICE 2017-19(2017.12.28)  |
| Safety                      | CB: IEC 60950-1<br>CE: CE-LVD(EN 60950-1:2006+A11:2009+A1:2010+A12:2011+A2:2013<br>LOA: SANS IEC60950-1   |
| Chemistry                   | CE: CE-RoHS(RoHS Directive 2011/65/EU+2015/863)   |
| Explosion-proof Certificate | ATEX: II 2 G Ex db op is IIC T6 Gb/ II 2D Ex tb op is IIIC T80°C Db<br>IECEX: Ex db IIC T6 Gb /Ex tb IIIC T80°C Db<br>For explosive gas atmospheres, the maximum surface temperature is 85°C;<br>For flammable dust atmospheres, the maximum surface temperature is 80°C;<br>IIC: for explosive gas atmospheres other than mines susceptible to firedamp;<br>For explosive gas mixture atmospheres: Zone 1, Zone 2, Zone 21, Zone 22. |
| IR                          |   |
| IR Range                    | 2.8 mm to 12 mm lens: up to 80 m (262.5 ft.)<br>8 mm to 32 mm lens: up to 150 m (492.1 ft.)   |
| Smart Feature-set           |   |
| Line Crossing Detection     | Cross a pre-defined virtual line  |
| Intrusion Detection         | Enter and loiter in a pre-defined virtual region  |
| Behavior Analysis           | Line crossing detection, intrusion detection, region entrance detection, region exiting detection, unattended baggage detection, object removal detection   |
| Region Entrance             | Enter a pre-defined virtual region from the outside place   |
| Region Exit                 | Exit from a pre-defined virtual region  |
| Unattended Baggage          | Objects left over in the pre-defined region such as the baggage, purse, dangerous materials   |
| Object Removal              | Objects removed from the pre-defined region, such as the exhibits on display.   |
| General                     |   |
| Power Supply                | 100 VAC to 240 VAC, three-core terminal block<br>PoE (802.3at, class 4)   |
| Material                    | 316L+Anti-corrosion coating   |

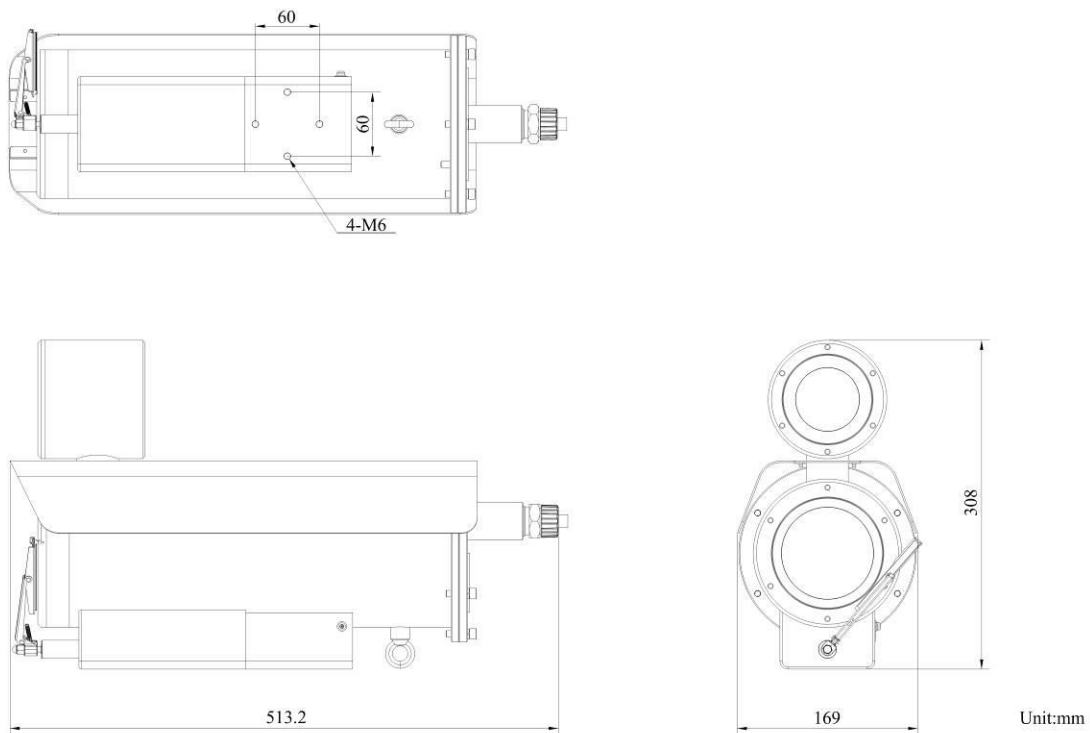
|                   |   |
|-------------------|---|
| Dimensions        | 513.2 × 169 × 308 mm (20.2" × 6.65" × 12.13")<br>Package: 753 × 313 × 424 mm (29.65" × 12.32" × 16.69")       |
| Weight            | 17.8 kg (39.24 lb.); with package, 19.8 kg (43.65lb.)   |
| Power Consumption | 100 VAC to 240 VAC, 0.38 A to 0.18 A, max. 22.6W; PoE (802.3at, 42.5 V to 57 V), 0.56 A to 0.42 A, max. 23.6W |
| Heater            | Yes   |
| Wiper             | Yes   |

*\*You are recommended to purchase memory card together with the product if needed. After ordering, the memory card will be installed to product during manufacturing.*

## ▪ Available Model



DS-2XE6442F-IZHRS (B)

## ▪ Dimension



- **Accessory**

- **Optional**

| DS-2780ZJ-X/316<br>L(OS)<br>Junction box  | DS-1707ZJ-Y-AC(<br>OS)<br>Wall mount  |
|---|---|
|  |  |

Distributed by

**HIKVISION®****Headquarters**

No.555 Qianmo Road, Binjiang District,  
Hangzhou 310051, China  
T +86-571-8807-5998  
overseasbusiness@hikvision.com

**Hikvision USA**  
T +1-909-895-0400  
sales.usa@hikvision.com

**Hikvision Australia**  
T +61-2-8599-4233  
salesau@hikvision.com

**Hikvision India**  
T +91-22-28469900  
sales@pramahikvision.com

**Hikvision Canada**  
T +1-866-200-6690  
sales.canada@hikvision.com

**Hikvision Thailand**  
T +662-275-9949  
sales.thailand@hikvision.com

**Hikvision Europe**  
T +31-23-5542770  
sales.eu@hikvision.com

**Hikvision Italy**  
T +39-0438-6902  
info.it@hikvision.com

**Hikvision Brazil**  
T +55 11 3318-0050  
Latam.support@hikvision.com

**Hikvision Turkey**  
T +90 (216)521 7070- 7074  
sales.tr@hikvision.com

**Hikvision Malaysia**  
T +601-7652-2413  
sales.my@hikvision.com

**Hikvision UK & Ireland**  
T +01628-902140  
sales.uk@hikvision.com

**Hikvision South Africa**  
Tel: +27 (10) 0351172  
sale.africa@hikvision.com

**Hikvision France**  
T +33(0)1-85-330-450  
info.fr@hikvision.com

**Hikvision Kazakhstan**  
T +7-727-9730667  
nikia.panfilov@hikvision.ru

**Hikvision Vietnam**  
T +84-974270888  
sales.vt@hikvision.com

**Hikvision UAE**  
T +971-4-4432090  
salesme@hikvision.com

**Hikvision Singapore**  
T +65-6684-4718  
sg@hikvision.com

**Hikvision Spain**  
T +34-91-737-16-55  
info.es@hikvision.com

**Hikvision Tashkent**  
T +99-87-1238-9438  
uzb@hikvision.ru

**Hikvision Hong Kong**  
T +852-2151-1761  
info.hk@hikvision.com

**Hikvision Russia**  
T +7-495-669-67-99  
saleru@hikvision.com

**Hikvision Korea**  
T +82-(0)31-731-8817  
sales.korea@hikvision.com

**Hikvision Poland**  
T +48-22-460-01-50  
info.pl@hikvision.com

**Hikvision Indonesia**  
T +62-21-2933759  
Sales.Indonesia@hikvision.com

**Hikvision Colombia**  
sales.colombia@hikvision.com